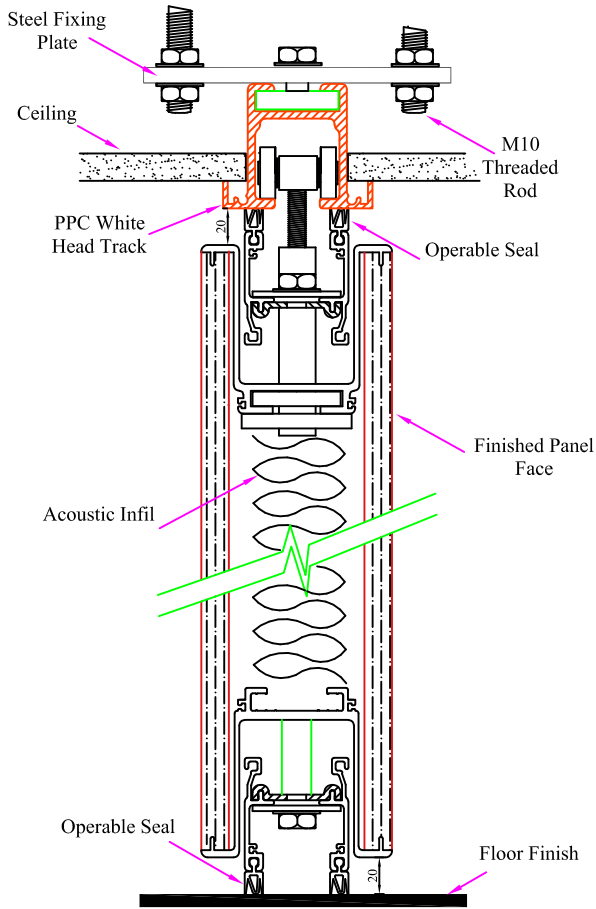
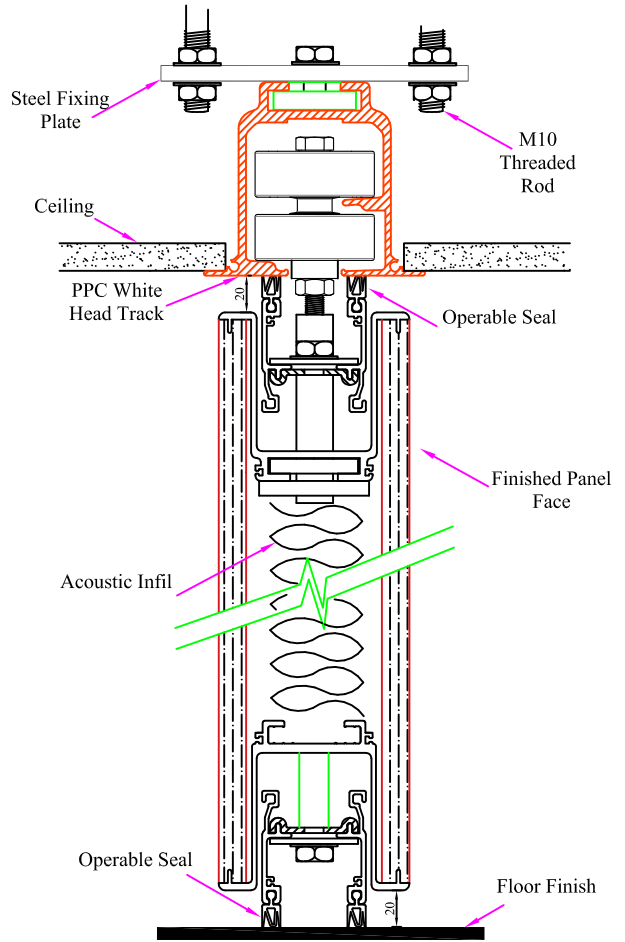


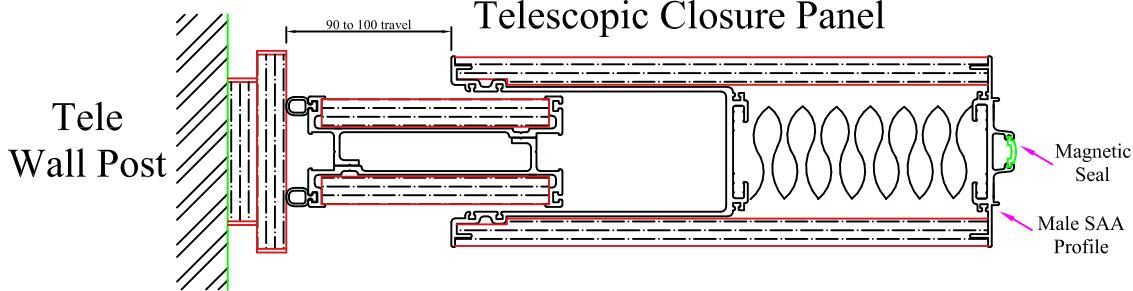
Single Point Section



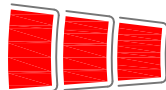
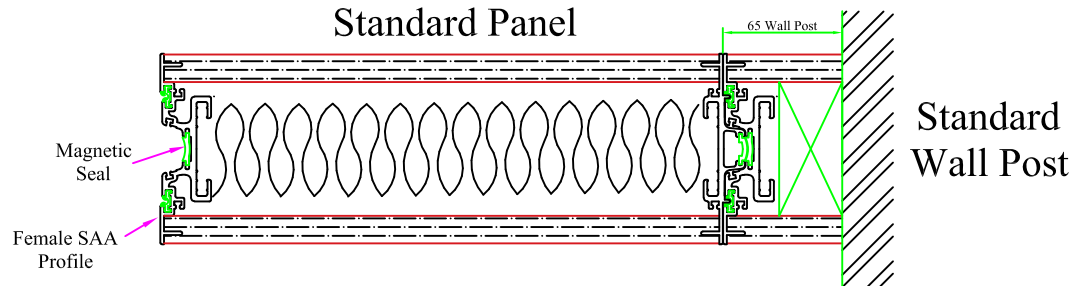
Double Point Section



Telescopic Closure Panel



Standard Panel



movingdesigns LIMITED
movable and folding doors

Unit 5, Station Industrial Estate,
Oxford Road, Wokingham
Berkshire, RG41 2YQ

Tel: 0845 643 2197
Fax: 0845 643 2198

Product: TOP HUNG ACOUSTIC MOVABLE WALL

Detail: GENERAL ARRANGEMENT

Drg No: MD-MWGA-01

Rev:

Drawn: JAL

Date: October 2017

Scale: NTS

Moving Designs reserve the right to make alterations without giving prior notice

